

# Standalone Linear Li-Ion Battery Charger and Dual Synchronous Buck Converter

## FEATURES

- Programmable Charge Current Up to 950mA
- Complete Linear Charger and Dual DC/DC Regulator
- Buck Converter Output Voltage from 0.6V to 5V
- No MOSFET, Sense Resistor or Blocking Diode Required
- Thermal Regulation Maximizes Charge Rate Without Risk of Overheating\*
- Charges Directly from a USB Port
- Programmable Charge Current Termination
- Preset 4.2V Charge Voltage with  $\pm 1\%$  Accuracy
- Charge Current Monitor Output for Gas Gauging\*
- Automatic Recharge
- Charge Status Output
- "Power Present" Output
- 2.9V Trickle Charge Threshold
- Soft-Start Limits Inrush Current
- Low Quiescent Current Buck Converter (40 $\mu$ A)
- Current Mode Operation, Constant Frequency (2.25MHz)
- Low Profile (5mm  $\times$  3mm  $\times$  0.75mm) DFN Package

## APPLICATIONS

- Cellular Telephones, PDAs, MP3 Players
- Bluetooth Applications

## DESCRIPTION

The LTC<sup>®</sup>3552 is a complete constant-current/constant-voltage linear charger with a dual DC/DC converter for single cell lithium-ion batteries. Its DFN package and low external component count make the LTC3552 ideally suited for portable applications. Furthermore, the LTC3552 is designed to work within USB power specifications.

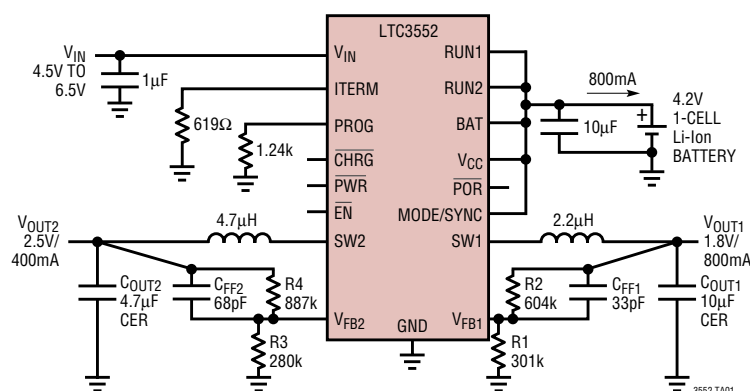
No external sense resistor or external blocking diode is required due to the internal MOSFET architecture. The charge voltage is fixed at 4.2V and the charge current is programmed with a resistor. The charge cycle terminates when the charge current drops below the programmed termination threshold after the final float voltage is reached. When the input supply (wall adapter or USB supply) is removed, the LTC3552 enters a low current state dropping the battery drain current to less than 2 $\mu$ A. Thermal regulation maximizes charge rate without risk of overheating.

The synchronous step-down switching regulators generate adjustable output voltages from 5V down to 0.6V. The switching frequency is set at 2.25MHz, allowing the use of small surface mount inductors and capacitors.

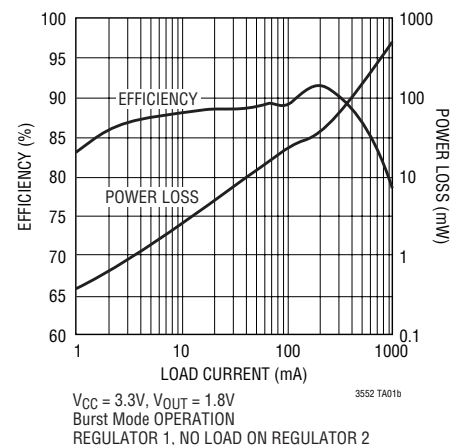
LT, LT, LTC and LTM are registered trademarks of Linear Technology Corporation. All other trademarks are the property of their respective owners.  
 \*Protected by U.S. patents, including 6522118, 6700364, 5481178, 6580258, 6304066, 6127815, 6498466, 6611131.

## TYPICAL APPLICATION

Single Cell Li-Ion Battery Charger with C/5 Termination and Dual DC/DC Converter



Efficiency Curve/  
Power Loss of Regulators



## ABSOLUTE MAXIMUM RATINGS

(Note 1)

|                                       |                          |
|---------------------------------------|--------------------------|
| Charger Input Supply ( $V_{IN}$ )     | -0.3V to 10V             |
| PROG, ITERM                           | -0.3V to $V_{IN} + 0.3V$ |
| BAT                                   | -0.3V to 7V              |
| CHRG, PWR, $\overline{EN}$            | -0.3V to 10V             |
| BAT Short-Circuit Duration            | Continuous               |
| BAT Pin Current                       | 1A                       |
| PROG Pin Current                      | 1mA                      |
| Converter Input Supply ( $V_{CC}$ )   | -0.3V to 6V              |
| $V_{FB1}$ , $V_{FB2}$ , RUN1, RUN2    | -0.3V to $V_{CC} + 0.3V$ |
| MODE/SYNC                             | -0.3V to $V_{CC} + 0.3V$ |
| SW1, SW2                              | -0.3V to $V_{CC} + 0.3V$ |
| POR                                   | -0.3V to 6V              |
| Ambient Operating Temperature         |                          |
| Range (Note 2)                        | -40°C to 85°C            |
| Maximum Junction Temperature (Note 8) | 125°C                    |
| Storage Temperature Range             | -65°C to 125°C           |

## PACKAGE/ORDER INFORMATION

TOP VIEW

DHC PACKAGE  
16-LEAD (5mm × 3mm) PLASTIC DFN

$T_{JMAX} = 125^{\circ}C$ ,  $\theta_{JA} = 40^{\circ}C/W$  (Note 3)  
EXPOSED PAD IS GROUND (PIN 17)  
MUST BE SOLDERED TO PCB

| ORDER PART NUMBER | DHC PART MARKING |
|-------------------|------------------|
| LTC3552EDHC       | 3552             |

**Order Options** Tape and Reel: Add #TR  
Lead Free: Add #PBF Lead Free Tape and Reel: Add #TRPBF  
Lead Free Part Marking: <http://www.linear.com/leadfree/>

Consult LTC Marketing for parts specified with wider operating temperature ranges.

## ELECTRICAL CHARACTERISTICS

The ● denotes the specifications which apply over the full operating temperature range, otherwise specifications are at  $T_A = 25^{\circ}C$ .  $V_{IN} = 5V$ ,  $V_{CC} = 3.6V$  unless otherwise noted.

| SYMBOL                 | PARAMETER                                | CONDITIONS   | MIN | TYP     | MAX     | UNITS   |    |
|------------------------|--|--|-----|---------|---------|---------|----|
| <b>Battery Charger</b> |  |  |     |         |         |         |    |
| $V_{IN}$               | Input Supply Voltage                     |  | ●   | 4.25    | 8       | V       |    |
| $I_{IN}$               | Input Supply Current                     |  |     |         |         |         |    |
|                        | Charge Mode (Note 4)                     | $R_{PROG} = 10k$   | ●   | 0.4     | 1       | mA      |    |
|                        | Standby Mode                             | Charge Terminated  | ●   | 200     | 500     | $\mu A$ |    |
|                        | Shutdown Mode                            | $\overline{EN} = 5V$ , $V_{IN} < V_{BAT}$ or $V_{IN} < V_{UV}$                   | ●   | 25      | 50      | $\mu A$ |    |
| $V_{FLOAT}$            | Regulated Output (Float) Voltage         | $0^{\circ}C \leq T_A \leq 85^{\circ}C$ , $4.3V < V_{IN} < 8V$                    |     | 4.158   | 4.2     | 4.242   | V  |
| $I_{BAT}$              | BAT Pin Current                          |  |     |         |         |         |    |
|                        |  | $R_{PROG} = 10k$ , Current Mode  | ●   | 92      | 100     | 105     | mA |
|                        |  | $R_{PROG} = 2k$ , Current Mode   | ●   | 465     | 500     | 535     | mA |
|                        |  | Standby Mode, $V_{BAT} = 4.2V$   | ●   | -2.5    | -6      | $\mu A$ |    |
|                        |  | Shutdown Mode ( $\overline{EN} = 5V$ , $V_{IN} < V_{BAT}$ or $V_{IN} < V_{UV}$ ) |     | $\pm 1$ | $\pm 2$ | $\mu A$ |    |
|                        |  | Sleep Mode, $V_{IN} = 0V$  |     | $\pm 1$ | $\pm 2$ | $\mu A$ |    |
| $I_{TRIKL}$            | Trickle Charge Current                   | $V_{BAT} < V_{TRIKL}$ , $R_{PROG} = 2k$  | ●   | 30      | 45      | 60      | mA |
| $V_{TRIKL}$            | Trickle Charge Threshold Voltage         | $R_{PROG} = 10k$ , $V_{BAT}$ Rising  |     | 2.8     | 2.9     | 3       | V  |
| $V_{TRHYS}$            | Trickle Charge Hysteresis Voltage        | $R_{PROG} = 10k$   |     | 80      |         | mV      |    |
| $V_{UV}$               | $V_{IN}$ Undervoltage Lockout Voltage    | From $V_{IN}$ Low to High  | ●   | 3.7     | 3.8     | 3.92    | V  |
| $V_{UVHYS}$            | $V_{IN}$ Undervoltage Lockout Hysteresis |  | ●   | 150     | 200     | 300     | mV |

## ELECTRICAL CHARACTERISTICS

The ● denotes the specifications which apply over the full operating temperature range, otherwise specifications are at  $T_A = 25^\circ\text{C}$ .  $V_{IN} = 5\text{V}$ ,  $V_{CC} = 3.6\text{V}$  unless otherwise noted.

| SYMBOL                                | PARAMETER  | CONDITIONS  | MIN            | TYP       | MAX         | UNITS            |
|---------------------------------------|--|---|----------------|-----------|-------------|------------------|
| $V_{\overline{\text{EN}}}(\text{IL})$ | $\overline{\text{EN}}$ Pin Input Low Voltage                 |   | ● 0.4          | 0.7       |             | V                |
| $V_{\overline{\text{EN}}}(\text{IH})$ | $\overline{\text{EN}}$ Pin Input High Voltage                |   | ●              | 0.7       | 1           | V                |
| $R_{\overline{\text{EN}}}$            | $\overline{\text{EN}}$ Pin Pull-Down Resistor                |   | ● 1.2          | 2         | 5           | M $\Omega$       |
| $V_{\text{ASD}}$                      | $V_{IN} - V_{\text{BAT}}$ Lockout Threshold Voltage          | $V_{IN}$ from Low to High<br>$V_{IN}$ from High to Low                              | 70<br>5        | 100<br>30 | 140<br>50   | mV<br>mV         |
| $I_{\text{TERM}}$                     | Charge Termination Current Threshold                         | $R_{\text{TERM}} = 1\text{k}$<br>$R_{\text{TERM}} = 5\text{k}$                      | ● 90<br>● 17.5 | 100<br>20 | 110<br>22.5 | mA<br>mA         |
| $V_{\text{PROG}}$                     | PROG Pin Voltage   | $R_{\text{PROG}} = 10\text{k}$ , Current Mode                                       | 0.93           | 1         | 1.07        | V                |
| $V_{\overline{\text{CHRG}}}$          | $\overline{\text{CHRG}}$ Pin Output Low Voltage              | $I_{\overline{\text{CHRG}}} = 5\text{mA}$   |                | 0.35      | 0.6         | V                |
| $V_{\overline{\text{PWR}}}$           | $\overline{\text{PWR}}$ Pin Output Low Voltage               | $I_{\overline{\text{PWR}}} = 5\text{mA}$  |                | 0.35      | 0.6         | V                |
| $\Delta V_{\text{RECHRG}}$            | Recharge Battery Threshold Voltage                           | $V_{\text{FLOAT}} - V_{\text{RECHRG}}$ , $0^\circ\text{C} < T_A < 85^\circ\text{C}$ | 60             | 100       | 140         | mV               |
| $T_{\text{LIM}}$                      | Junction Temperature in Constant-Temperature Mode            |   |                | 120       |             | $^\circ\text{C}$ |
| $R_{\text{ON-CHRG}}$                  | Charger's Power FET On-Resistance (Between $V_{IN}$ and BAT) |   |                | 600       |             | m $\Omega$       |
| $t_{\text{SS-CHRG}}$                  | Charger Soft-Start Time                                      | $I_{\text{BAT}} = 0$ to $I_{\text{BAT}} = 1000\text{V}/R_{\text{PROG}}$             |                | 100       |             | $\mu\text{s}$    |
| $t_{\text{RECHRG}}$                   | Recharge Comparator Filter Time                              | $V_{\text{BAT}}$ High to Low  | 0.75           | 2         | 4.5         | ms               |
| $t_{\text{TERM}}$                     | Termination Comparator Filter Time                           | $I_{\text{BAT}}$ Drops Below Charge Termination Threshold                           | 0.4            | 1         | 2.5         | ms               |

### Switching Regulator

|                               |  |  |                  |                  |                |   |
|-------------------------------|--|--|------------------|------------------|----------------|---|
| $V_{\text{CC}}$               | Operating Voltage Range for Regulator  |  | ● 2.5            |                  | 5.5            | V   |
| $I_{\text{FB}}$               | Feedback Pin Input Current   |  | ●                |                  | 30             | nA  |
| $V_{\text{FB}}$               | Feedback Voltage (Note 5)  | $0^\circ\text{C} \leq T_A \leq 85^\circ\text{C}$<br>$-40^\circ\text{C} \leq T_A \leq 85^\circ\text{C}$   | ● 0.588<br>0.585 | 0.6<br>0.6       | 0.612<br>0.612 | V<br>V  |
| $\Delta V_{\text{LINE\_REG}}$ | Reference Voltage Line Regulation  | $V_{\text{CC}} = 2.5\text{V}$ to $5.5\text{V}$ (Note 5)  |                  | 0.3              | 0.5            | %/V   |
| $\Delta V_{\text{LOAD\_REG}}$ | Output Voltage Load Regulation   | (Note 5)   |                  | 0.5              |                | %   |
| $I_{\text{S}}$                | Input DC Supply Current<br>Active Mode<br>Sleep Mode<br>Shutdown               | $V_{\text{FB1}} = V_{\text{FB2}} = 0.5\text{V}$<br>$V_{\text{FB1}} = V_{\text{FB2}} = 0.63\text{V}$ , MODE/SYNC = 3.6V<br>RUN = 0V, $V_{\text{CC}} = 5.5\text{V}$ , MODE/SYNC = 0V |                  | 700<br>40<br>0.1 | 950<br>60<br>1 | $\mu\text{A}$<br>$\mu\text{A}$<br>$\mu\text{A}$ |
| $f_{\text{OSC}}$              | Oscillator Frequency   | $V_{\text{FB}} = 0.6\text{V}$  | ● 1.8            | 2.25             | 2.7            | MHz   |
| $f_{\text{SYNC}}$             | Synchronization Frequency  |  |                  | 2.25             |                | MHz   |
| $I_{\text{LIM}}$              | Peak Switch Current Limit Regulator 1<br>Peak Switch Current Limit Regulator 2 | $V_{\text{CC}} = 3\text{V}$ , $V_{\text{FB}} = 0.5\text{V}$ , Duty Cycle < 35%<br>$V_{\text{CC}} = 3\text{V}$ , $V_{\text{FB}} = 0.5\text{V}$ , Duty Cycle < 35%                   | 0.95<br>0.6      | 1.2<br>0.7       | 1.6<br>0.9     | A<br>A  |
| $R_{\text{DS(ON)}}$           | Top Switch On-Resistance<br>Bottom Switch On-Resistance                        | (Note 6)<br>(Note 6)   |                  | 0.35<br>0.30     | 0.45<br>0.45   | $\Omega$<br>$\Omega$                            |
| $I_{\text{SW(LKG)}}$          | Switch Leakage Current   | $V_{\text{CC}} = 5\text{V}$ , $V_{\text{RUN}} = 0\text{V}$ , $V_{\text{FB}} = 0\text{V}$   |                  | 0.01             | 1              | $\mu\text{A}$                                   |
| POR                           | Power-On Reset Threshold   | $V_{\text{FB}}$ Ramping Down, MODE/SYNC = 0V   |                  | -8.5             |                | %   |
|                               | Power-On Reset On-Resistance   |  |                  | 100              | 200            | $\Omega$  |
|                               | Power-On Reset Delay   |  |                  | 262,144          |                | Cycles  |
| $V_{\text{RUN}}$              | RUN Threshold Voltage  |  | ● 0.3            | 1                | 1.5            | V   |
| $I_{\text{RUN}}$              | RUN Leakage Current  |  | ●                | 0.01             | 1              | $\mu\text{A}$                                   |

## ELECTRICAL CHARACTERISTICS

**Note 1:** Stresses beyond those listed under Absolute Maximum Ratings may cause permanent damage to the device. Exposure to any Absolute Maximum Rating condition for extended periods may affect device reliability and lifetime. Pins of regulators should not exceed 6V.

**Note 2:** The LTC3552E is guaranteed to meet performance specifications from 0°C to 85°C. Specifications over the -40°C to 85°C operating temperature range are assured by design, characterization and correlation with statistical process controls.

**Note 3:** Failure to solder the exposed backside of the package to the PC board will result in a thermal resistance much higher than 40°C/W. See Thermal Considerations.

**Note 4:** Supply current includes PROG pin current and ITERM pin current (approximately 100µA each) but does not include any current delivered to the battery through the BAT pin (approximately 100mA).

**Note 5:** The regulator is tested in a proprietary test mode that connects  $V_{FB}$  to the output of the error amplifier.

**Note 6:** Dynamic supply current is higher due to the internal gate charge being delivered at the switching frequency.

**Note 7:** The regulator power switch on-resistances are guaranteed by correlation to wafer level measurements.

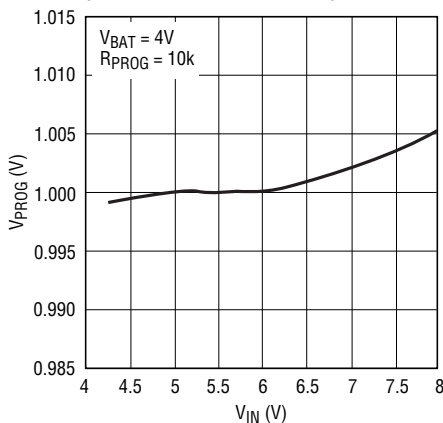
**Note 8:**  $T_J$  is calculated from the ambient temperature  $T_A$  and power dissipation  $P_D$  according to the following formula:

$$T_J = T_A + (P_D \cdot \theta_{JA})$$

## TYPICAL PERFORMANCE CHARACTERISTICS $T_A = 25^\circ\text{C}$ Unless Otherwise Specified.

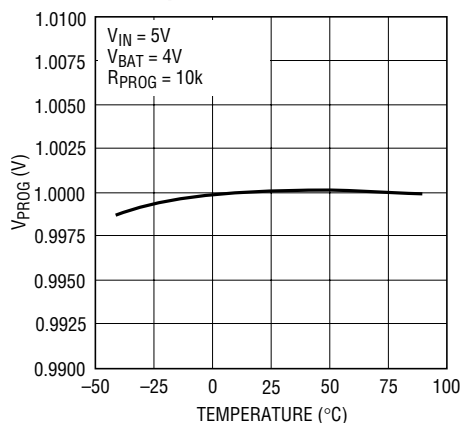
### Battery Charger

**PROG Pin Voltage vs  $V_{IN}$  (Constant-Current Mode)**



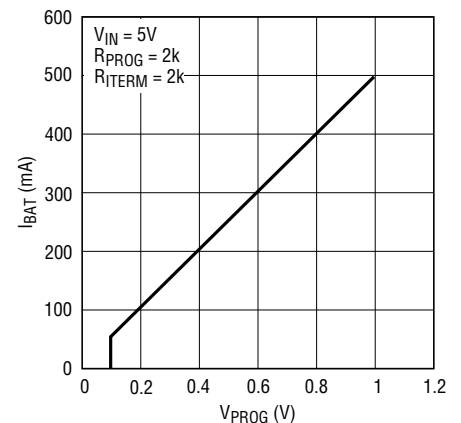
3552 G01

**PROG Pin Voltage vs Temperature**



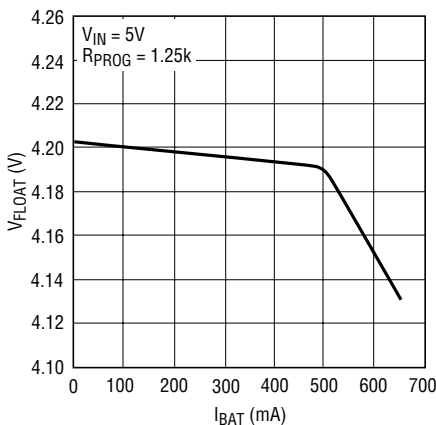
3552 G02

**Charge Current vs PROG Pin Voltage**



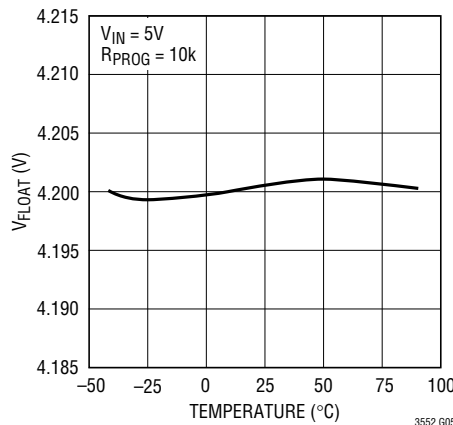
3552 G03

**Regulated Output (Float) Voltage vs Charge Current**



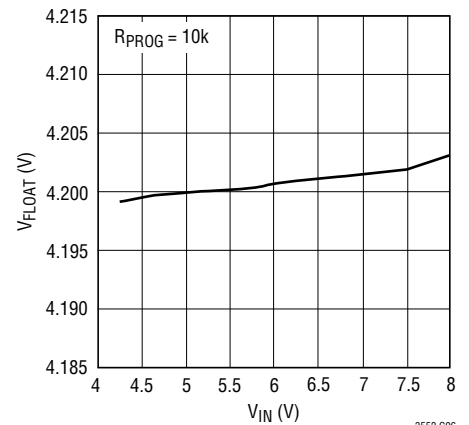
3552 G04

**Regulated Output (Float) Voltage vs Temperature**



3552 G05

**Regulated Output (Float) Voltage vs  $V_{IN}$**

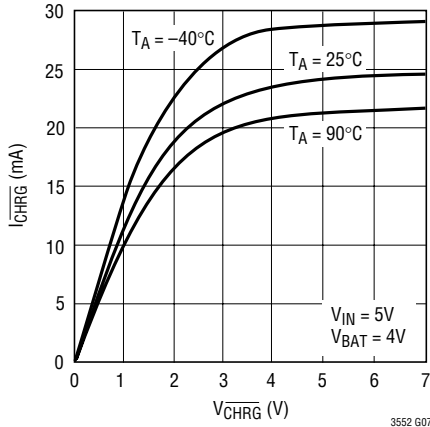


3552 G06

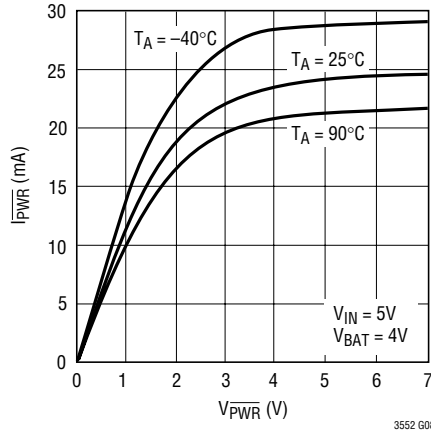
**TYPICAL PERFORMANCE CHARACTERISTICS**  $T_A = 25^\circ\text{C}$  Unless Otherwise Specified.

**Battery Charger**

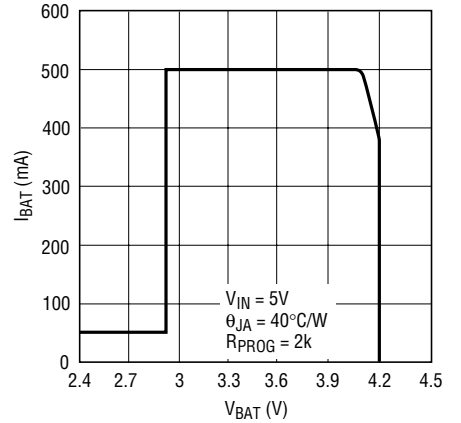
**CHRG Pin I-V Curve (Pull-Down State)**



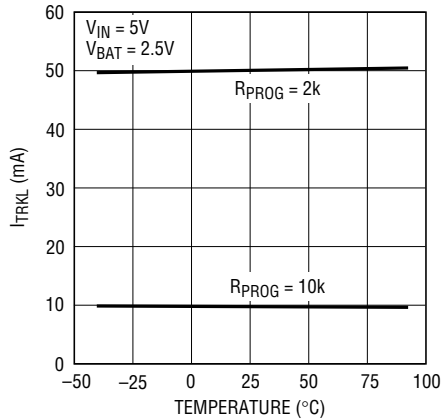
**PWR Pin I-V Curve (Pull-Down State)**



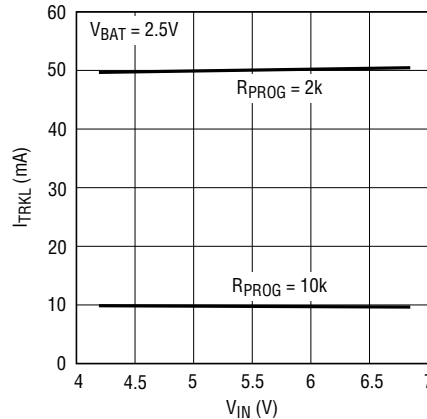
**Charge Current vs Battery Voltage**



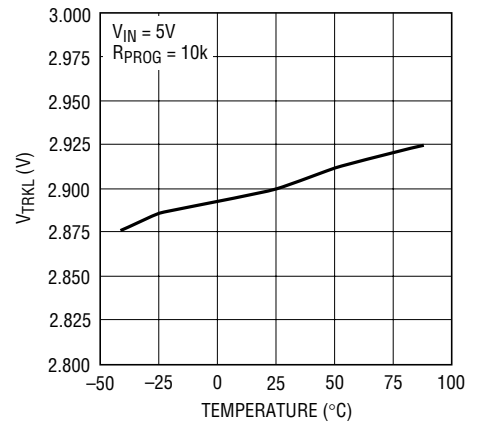
**Trickle Charge Current vs Temperature**



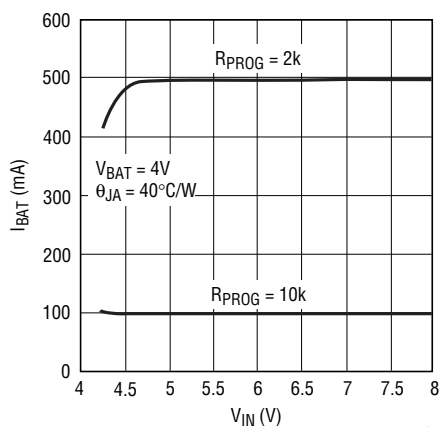
**Trickle Charge Current vs VIN**



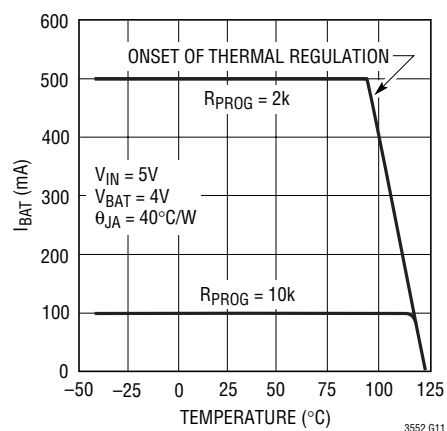
**Trickle Charge Threshold Voltage vs Temperature**



**Charge Current vs VIN**



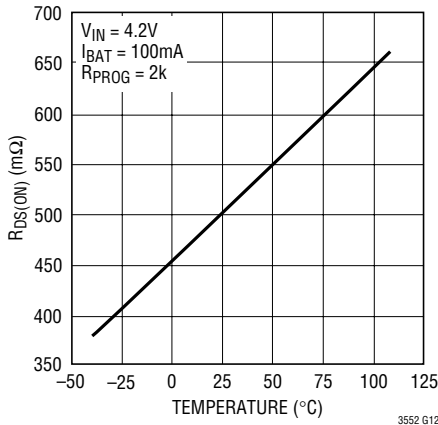
**Charge Current vs Ambient Temperature**



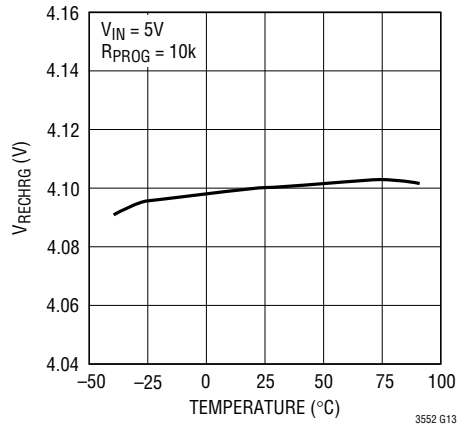
**TYPICAL PERFORMANCE CHARACTERISTICS**  $T_A = 25^\circ\text{C}$  Unless Otherwise Specified.

**Battery Charger**

**Power FET On-Resistance vs Temperature**

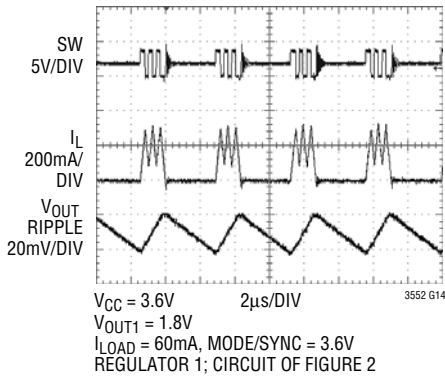


**Recharge Threshold Voltage vs Temperature**

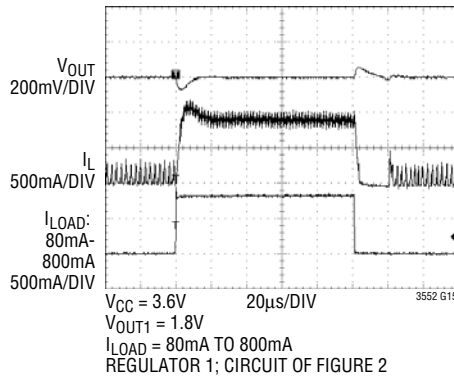


**Switching Regulator**

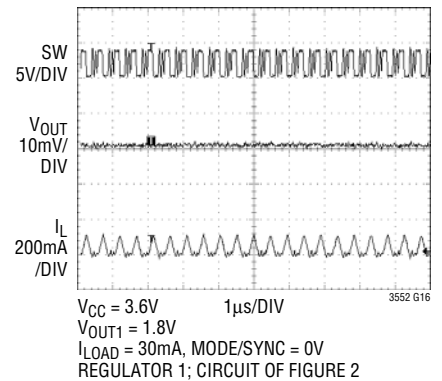
**Burst Mode Operation**



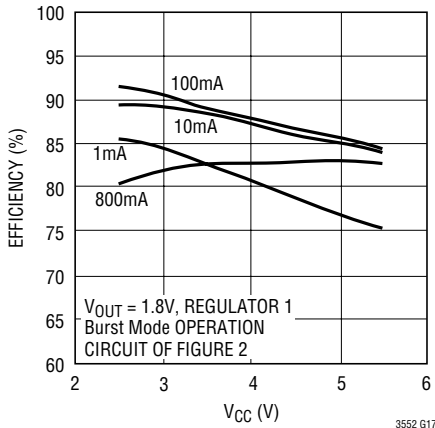
**Load Step**



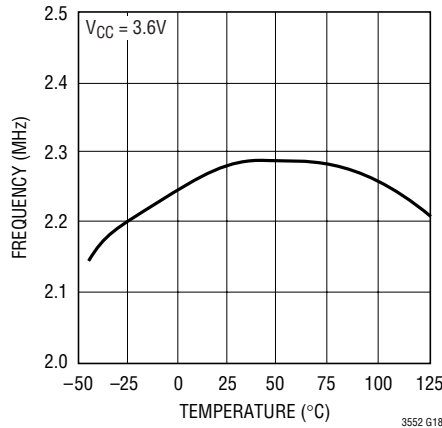
**Pulse-Skipping Mode**



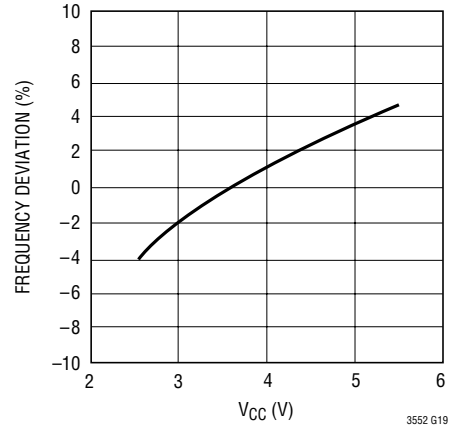
**Efficiency vs V<sub>CC</sub>**



**Oscillator Frequency vs Temperature**

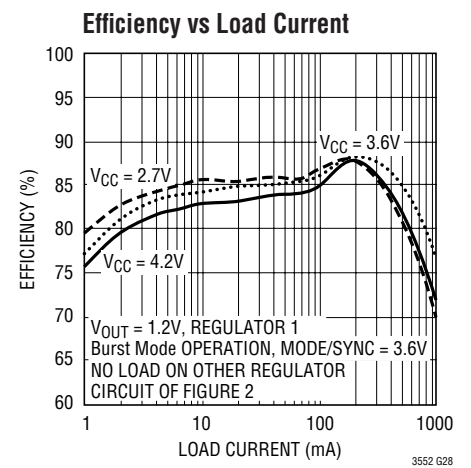
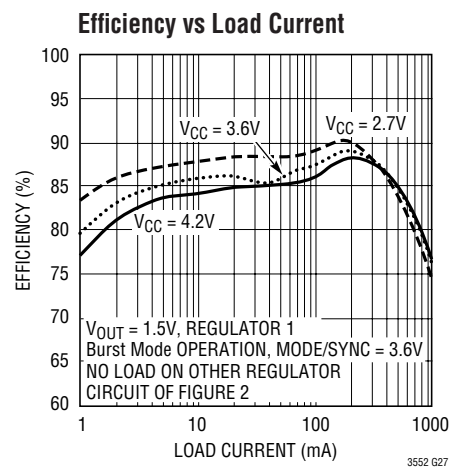
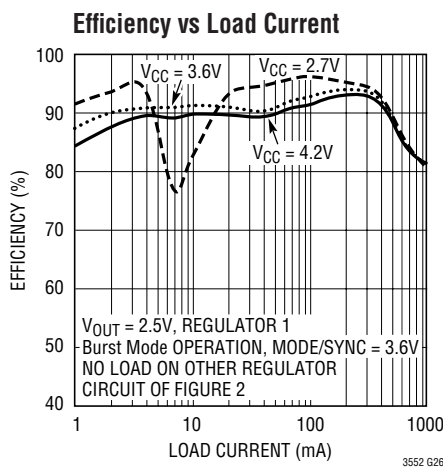
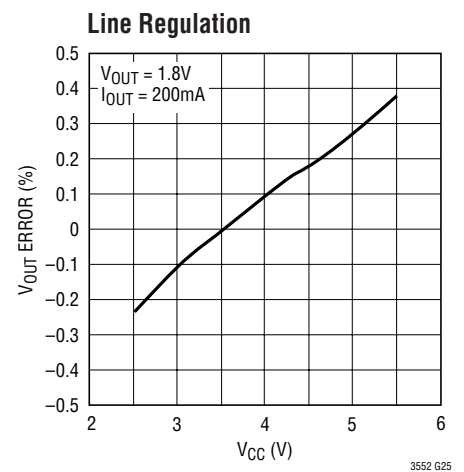
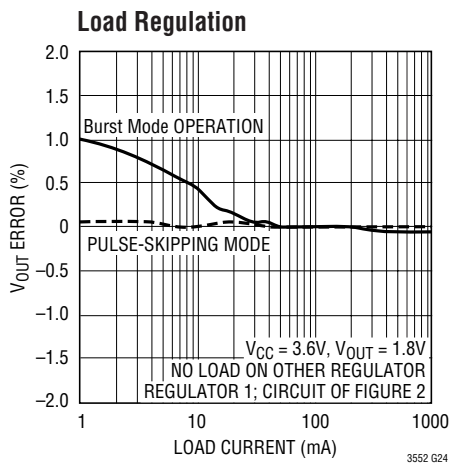
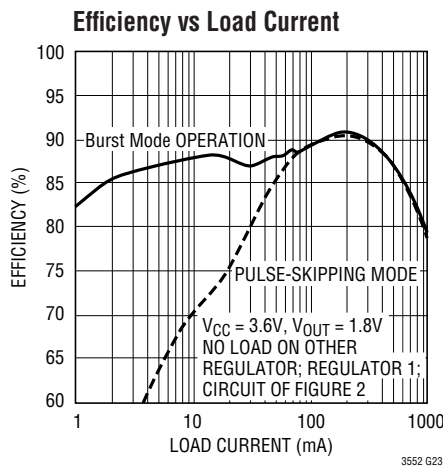
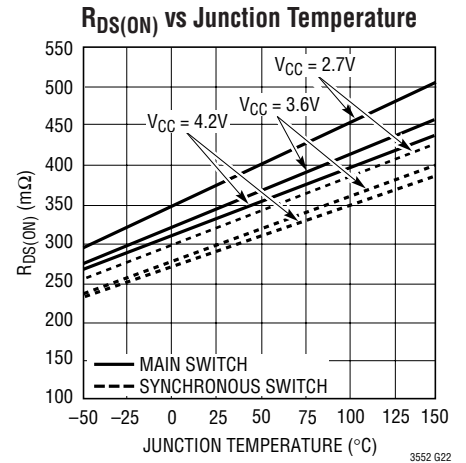
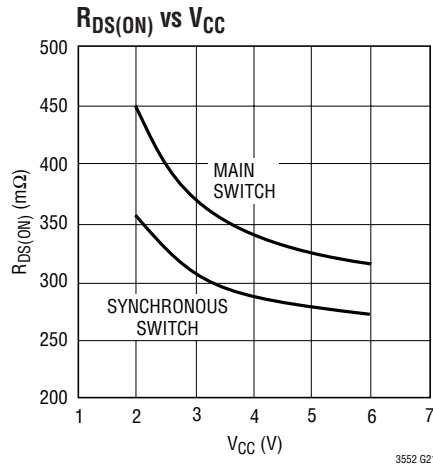
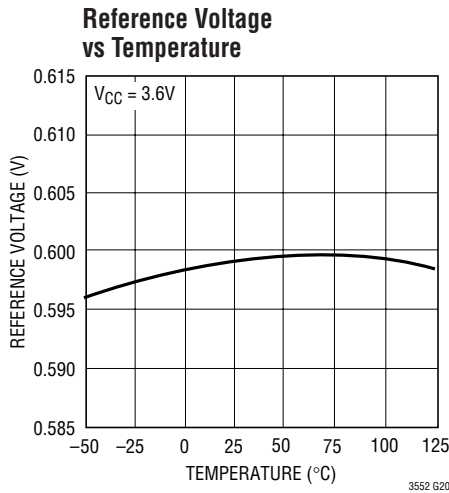


**Oscillator Frequency Error vs V<sub>CC</sub>**



**TYPICAL PERFORMANCE CHARACTERISTICS**  $T_A = 25^\circ\text{C}$  Unless Otherwise Specified.

**Switching Regulator**



## PIN FUNCTIONS

**ITERM (Pin 1):** Charge Termination Program. The charge termination current threshold is programmed by connecting a 1% resistor,  $R_{\text{TERM}}$ , to ground. The current threshold  $I_{\text{TERM}}$ , is set by the following formula:

$$I_{\text{TERM}} = \frac{100\text{V}}{R_{\text{TERM}}}, R_{\text{TERM}} = \frac{100\text{V}}{I_{\text{TERM}}}$$

**BAT (Pin 2):** Charge Current Output. Provides charge current to the battery from the internal P-channel MOSFET, and regulates the final float voltage to 4.2V. An internal precision resistor divider from this pin sets the float voltage. This divider is disconnected in shutdown mode to minimize current drain from the battery.

**CHRG (Pin 3):** Charge Status Open-Drain Output. When the battery is charging, the  $\overline{\text{CHRG}}$  pin is pulled low by an internal N-channel MOSFET. When the charge cycle is completed,  $\overline{\text{CHRG}}$  becomes high impedance.

**MODE/SYNC (Pin 4):** Combination Mode Selection and Oscillator Synchronization. This pin controls the operation of the buck regulators. When tied to  $V_{\text{CC}}$  or GND, Burst Mode operation or pulse-skipping mode is selected, respectively. Do not float this pin. The oscillation frequency can be synchronized to an external oscillator applied to this pin and pulse-skipping mode is automatically selected.

**SW2 (Pin 5):** Regulator 2 Switch Node Connection to the Inductor. This pin swings from  $V_{\text{CC}}$  to GND.

**POR (Pin 6):** Power-On Reset. This open-drain logic output is pulled to GND when either output voltage drops 8.5% from the regulated voltage and goes high after 262,144 clock cycles when both regulators are within regulation.

**RUN2 (Pin 7):** Regulator 2 Enable. Forcing this pin to  $V_{\text{CC}}$  enables regulator 2, while forcing it to GND causes regulator 2 to shut down. This pin must be driven; do not float.

**V<sub>FB2</sub> (Pin 8):** Output Feedback for Regulator 2. Receives the feedback voltage from the external resistive divider across the output. Normal voltage for this pin is 600mV.

**V<sub>FB1</sub> (Pin 9):** Output Feedback for Regulator 1. Receives the feedback voltage from the external resistive divider across the output. Normal voltage for this pin is 600mV.

**RUN1 (Pin 10):** Regulator 1 Enable. Forcing this pin to  $V_{\text{CC}}$  enables regulator 1, while forcing it to GND causes regulator 1 to shut down. This pin must be driven; do not float.

**V<sub>CC</sub> (Pin 11):** Buck Regulators Input Supply. Provides power to the switchers. Must be closely decoupled to GND.

**SW1 (Pin 12):** Regulator 1 Switch Node Connection to the Inductor. This pin swings from  $V_{\text{CC}}$  to GND.

**PROG (Pin 13):** Charge Current Program and Charge Current Monitor. Charge current is programmed by connecting a 1% resistor,  $R_{\text{PROG}}$ , to ground. When charging in constant-current mode, this pin serves to 1V. In all modes, the voltage on this pin can be used to measure the charge current using the following formula:

$$I_{\text{BAT}} = \frac{V_{\text{PROG}}}{I_{\text{PROG}}} \cdot 1000$$

This pin is clamped to approximately 2.4V. Driving this pin to voltages beyond the clamp voltage should be avoided.

**V<sub>IN</sub> (Pin 14):** Charger Input Supply. Provides power to the charger.  $V_{\text{IN}}$  can range from 4.25V to 8V. This pin should be bypassed with at least a 1 $\mu$ F capacitor. When  $V_{\text{IN}}$  is within 100mV of the BAT pin voltage, the charger enters shutdown mode dropping the battery drain current to less than 2 $\mu$ A.

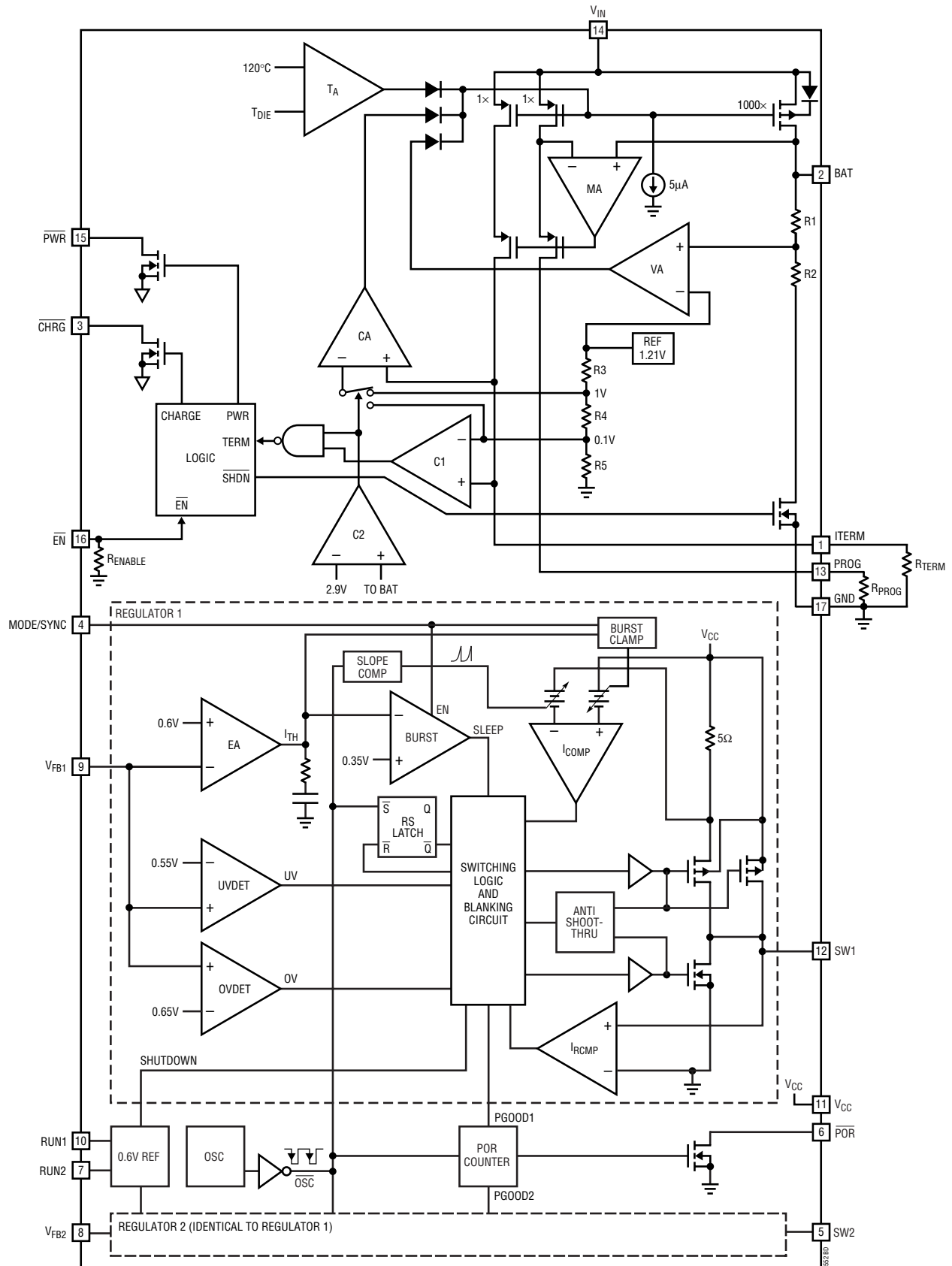
**PWR (Pin 15):** Charger Power Supply Status Open-Drain Output. When  $V_{\text{IN}}$  is greater than the undervoltage lock-out threshold and at least 100mV above  $V_{\text{BAT}}$ , the  $\overline{\text{PWR}}$  pin is pulled to ground; otherwise, the pin is high impedance.

**$\overline{\text{EN}}$  (Pin 16):** Enable Input. A logic high on the  $\overline{\text{EN}}$  pin will put the charger into shutdown mode where the battery drain current is reduced to less than 2 $\mu$ A and the supply current is reduced to less than 50 $\mu$ A. A logic low or floating the  $\overline{\text{EN}}$  pin (allowing an internal 2M $\Omega$  pull-down resistor to pull this pin low) enables charging.

**Exposed Pad (GND) (Pin 17):** Ground. The exposed backside of the package (Pin 17) is ground and must be soldered to the PCB for maximum heat transfer.



# BLOCK DIAGRAM



## OPERATION

The LTC3552 is made up of two parts: a standalone constant-current/constant-voltage linear charger for a single-cell lithium-ion battery and a high efficiency dual DC/DC switching regulator. The charger can deliver up to 950mA of charge current (using a good thermal PCB layout) with a final float voltage accuracy of  $\pm 1\%$ . An internal P-channel power MOSFET and thermal regulation circuitry are included. No blocking diode or external current sense resistor is required; furthermore, the charger is capable of operating from a USB power source.

The switching regulators use a constant frequency, current mode step-down architecture. Both main (P-channel MOSFET) and synchronous (N-channel MOSFET) switches are internal.

### LITHIUM-ION BATTERY CHARGER

#### Normal Charge Cycle

A charge cycle begins when the voltage at the  $V_{IN}$  pin rises above the UVLO threshold level and a 1% program resistor is connected from the PROG pin to ground. If the BAT pin is less than 2.9V, the charger enters trickle charge mode. In this mode, the charger supplies approximately one-tenth the programmed charge current to bring the battery voltage up to a safe level for full current charging.

When the BAT pin voltage rises above 2.9V, the charger enters constant-current mode where the programmed charge current is supplied to the battery. When the BAT pin approaches the final float voltage (4.2V), the charger enters constant-voltage mode and the charge current begins to decrease. When the charge current drops to the programmed termination threshold (set by the external resistor  $R_{TERM}$ ), the charge cycle ends. Figure 1 shows the state diagram of a typical charge cycle.

#### Charge Status Indicator ( $\overline{CHRG}$ )

The open drain charge status output has two states: pull-down and high impedance. The pull-down state indicates that the charger is in a charge cycle. Once the charge cycle has terminated or the charger is disabled, the pin becomes high impedance.

#### Automatic Recharge

Once the charge cycle terminates, the charger continuously monitors the voltage on the BAT pin using a comparator with a 2ms filter time ( $t_{RECHARGE}$ ). A charge cycle restarts when the battery voltage falls below 4.10V (which corresponds to approximately 80% to 90% battery capacity). This ensures that the battery is kept at, or near, a fully charged condition and eliminates the need for periodic charge cycle initiations. The  $\overline{CHRG}$  output enters a pull-down state during recharge cycles. If the battery is removed from the charger, a sawtooth waveform of approximately 100mV appears at the charger output. This is caused by the repeated cycling between termination and recharge events. This cycling results in pulsing at the  $\overline{CHRG}$  output; an LED connected to this pin will exhibit a pulsing pattern, indicating to the user that a battery is not present. The frequency of the sawtooth is dependent on the amount of output capacitance.

#### Power Supply Status Indicator ( $\overline{PWR}$ )

The power supply status output has two states: pull-down and high impedance. The pull-down state indicates that  $V_{IN}$  is above the UVLO threshold (3.8V) and is also 100mV above the battery voltage. If these conditions are not met, the  $\overline{PWR}$  pin is high impedance indicating that the charger is unable to charge the battery.

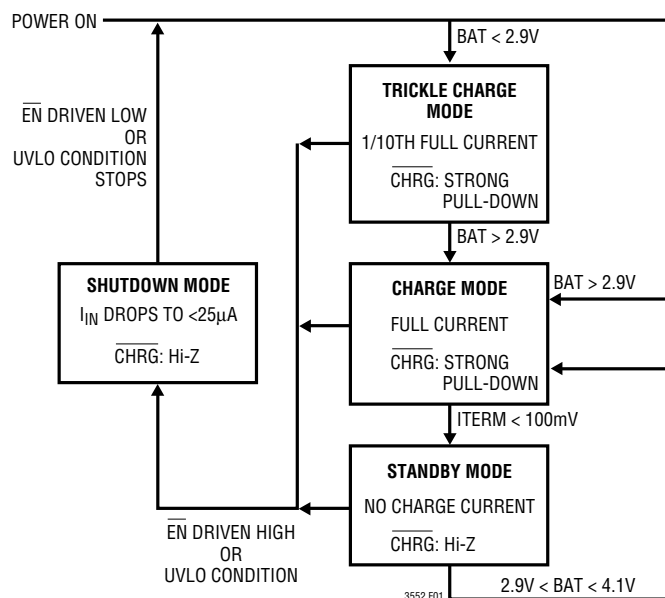


Figure 1. State Diagram of a Typical Charge Cycle

3552f

## OPERATION

### Charge Current Soft-Start

The charger includes a soft-start circuit to minimize the inrush current at the start of a charge cycle. When a charge cycle is initiated, the charge current ramps from zero to full-scale current over a period of approximately 100 $\mu$ s. This has the effect of minimizing the transient current load on the power supply during start-up.

### Thermal Limiting

An internal thermal feedback loop reduces the programmed charge current if the die temperature attempts to rise above a preset value of approximately 120°C. This feature protects the charger from excessive temperature and allows the user to push the limits of the power handling capability of a given circuit board without risk of damaging the charger. The charge current can be set according to typical (not worst case) ambient temperature with the assurance that the charger will automatically reduce the current in worst-case conditions. DFN package power considerations are discussed further in the Applications Information section.

### Undervoltage Lockout (UVLO)

An internal undervoltage lockout circuit monitors the input voltage and keeps the charger in shutdown mode until  $V_{IN}$  rises above the undervoltage lockout threshold. The UVLO circuit has a hysteresis of 200mV. Also, to protect against reverse current in the power MOSFET, the UVLO circuit keeps the charger in shutdown mode if  $V_{IN}$  falls to within 30mV of the BAT voltage. If the UVLO comparator is tripped, the charger will not come out of shutdown mode until  $V_{IN}$  rises 100mV above the BAT voltage.

### Manual Shutdown

At any point in the charge cycle, the charger can be put into shutdown mode by driving the  $\overline{EN}$  pin high. This reduces the battery drain current to less than 2 $\mu$ A and the  $V_{IN}$  supply current to less than 50 $\mu$ A. When in shutdown mode, the  $\overline{CHRG}$  pin is in the high impedance state. A new charge cycle can be initiated by driving the  $\overline{EN}$  pin low. An internal resistor pull-down on this pin forces the charger to be enabled if the pin is allowed to float.

### DUAL SWITCHING REGULATOR

The regulators use a current mode architecture with a constant operating frequency of 2.25MHz. Both regulators share the same clock and run in-phase. To suit a variety of applications, the MODE/SYNC pin allows the user to choose between low noise or high efficiency. The output voltages are set by external resistive dividers returned to the  $V_{FB}$  pins. An error amplifier compares the divided output voltage ( $V_{FB}$ ) with a reference voltage of 0.6V and adjusts the peak inductor current accordingly. An undervoltage comparator will pull the  $\overline{POR}$  output low if  $V_{FB}$  is less than 91.5% of the reference voltage. The  $\overline{POR}$  output will go high after 262,144 clock cycles (about 117ms in pulse-skipping mode) of achieving regulation.

### Main Regulator Control Loop

During normal operation, the top power switch (P-channel MOSFET) is turned on at the beginning of a clock cycle when the feedback voltage is below the reference voltage. The current into the inductor and the load increases until the current limit is reached. The switch turns off and energy stored in the inductor flows through the bottom switch (N-channel MOSFET) into the load until the next clock cycle. The peak inductor current is controlled by the internally compensated  $I_{TH}$  voltage, which is the output of the error amplifier. This amplifier compares  $V_{FB}$  to the 0.6V reference (see Block Diagram). When the load current increases, the  $V_{FB}$  voltage decreases slightly below the reference. This decrease causes the error amplifier to increase the  $I_{TH}$  voltage until the average inductor current matches the new load current. The main control loop can be shut down by pulling the RUN pin to ground.

### Low Load Current Operation

The MODE/SYNC pin provides two modes of operation at low currents. Both modes automatically switch from continuous operation to the selected mode when the load current is low. For highest efficiency at low current, connecting the MODE/SYNC pin to  $V_{CC}$  makes the regulator operate in Burst Mode, where the PMOS switch operates intermittently based on load demand with a

## OPERATION

fixed peak inductor current. By running cycles periodically, the switching losses which are dominated by the gate charge losses of the power MOSFETs are minimized. The main control loop is interrupted when the output voltage reaches the desired regulated value. A voltage comparator trips when  $I_{TH}$  is below 0.35V, shutting off the switch and reducing the power. The output capacitor and the inductor supply the power to the load until  $I_{TH}$  exceeds 0.65V, turning on the switch and the main control loop which starts another cycle.

For lower ripple noise at low currents, the pulse-skipping mode can be selected by grounding the MODE/SYNC pin. In this mode, the regulator continues to switch at a constant frequency down to very low currents, where it will begin skipping pulses. The efficiency in pulse-skipping mode can be improved slightly by connecting the SW node to the MODE/SYNC input which reduces the clock frequency by approximately 30%. Do not float the MODE/SYNC pin.

### Dropout Operation

When the  $V_{CC}$  input supply voltage decreases toward the output voltage, the duty cycle increases to 100% which is the dropout condition. In dropout, the PMOS switch is turned on continuously with the output voltage being equal to the input voltage minus the voltage drops across the internal P-channel MOSFET and the inductor. An important design consideration is that the  $R_{DS(ON)}$  of the P-channel switch increases with decreasing input supply voltage (see Typical Performance Characteristics). Therefore, the user should calculate the power dissipation when the regulator is used at 100% duty cycle with low input voltage (see Thermal Considerations in the Applications Information section).

### Low Supply Voltage Operation

To prevent unstable operation, the regulators incorporate an undervoltage lockout circuit which shuts them down when the  $V_{CC}$  voltage drops below approximately 1.65V.

## APPLICATIONS INFORMATION

A typical LTC3552 application circuit is shown in Figure 2. External component selection is driven by the charging requirements and the switching regulators load requirements.

### Programming Charge Current

The charge current is programmed using a single resistor from the PROG pin to ground. The charge current out of the BAT pin is 1000 times the current out of the PROG pin. The program resistor and the charge current are calculated using the following equations:

$$R_{\text{PROG}} = \frac{1000V}{I_{\text{CHG}}}, I_{\text{CHG}} = \frac{1000V}{R_{\text{PROG}}}$$

Charge current out of the BAT pin can be determined anytime by monitoring the PROG pin voltage and using the following equation:

$$I_{\text{BAT}} = \frac{V_{\text{PROG}}}{R_{\text{PROG}}} \cdot 1000$$

### Programming Charge Termination

The charge cycle terminates when the charge current falls below the programmed termination threshold. This threshold is set by connecting an external resistor,  $R_{\text{TERM}}$ , from

the ITERM pin to ground. The charge termination current threshold ( $I_{\text{TERM}}$ ) is set by the following equation:

$$I_{\text{TERM}} = \frac{100V}{R_{\text{TERM}}} = \frac{I_{\text{CHG}}}{10} \cdot \frac{R_{\text{PROG}}}{R_{\text{TERM}}},$$

$$R_{\text{TERM}} = \frac{100V}{I_{\text{TERM}}}$$

The termination condition is detected by using an internal filtered comparator to monitor the ITERM pin. When the ITERM pin voltage drops below 100mV\* for longer than  $t_{\text{TERM}}$  (typically 1ms), charging is terminated. The charge current is latched off and the charger enters standby mode where the input supply current drops to 200 $\mu$ A. (Note: Termination is disabled in trickle charging and thermal limiting modes).

$I_{\text{TERM}}$  can be set to one tenth of  $I_{\text{CHG}}$  by shorting the ITERM pin to the PROG pin, thus eliminating the need for external resistor  $R_{\text{TERM}}$ . When configured in this way,  $I_{\text{TERM}}$  is always set to  $I_{\text{CHG}}/10$ , and the programmed charge current is set by the equation:

$$I_{\text{CHG}} = \frac{500V}{R_{\text{PROG}}}, R_{\text{PROG}} = \frac{500V^{**}}{I_{\text{CHG}}}$$

\* Any external sources that hold the ITERM pin above 100mV will prevent the LTC3552 from terminating a charge cycle.

\*\* These equations apply only when the ITERM pin is shorted to the PROG pin.

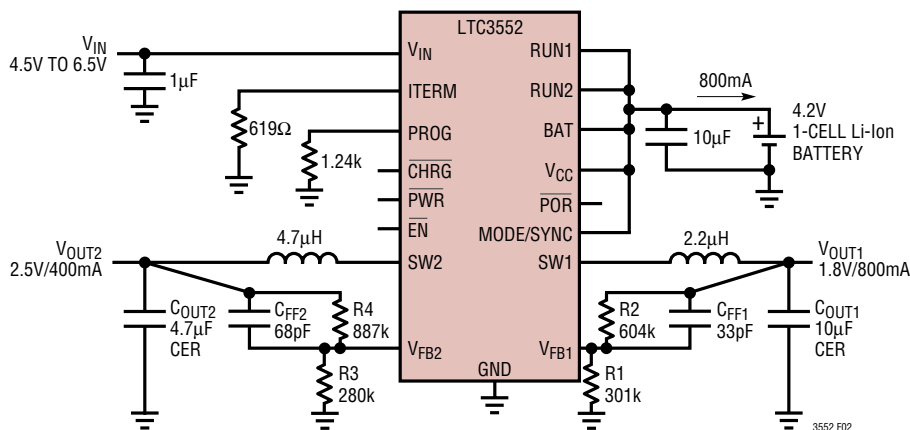


Figure 2. LTC3552 Basic Application Circuit

## APPLICATIONS INFORMATION

When charging, transient loads on the BAT pin can cause the ITERM pin to fall below 100mV for short periods of time before the DC charge current has dropped to 10% of the programmed value. The 1ms filter time ( $t_{TERM}$ ) on the termination comparator ensures that transient loads of this nature do not result in premature charge cycle termination. Once the average charge current drops below the programmed termination threshold, the charger terminates the charge cycle and stops providing current out of the BAT pin. In this state, any load on the BAT pin must be supplied by the battery.

The charger constantly monitors the BAT pin voltage in standby mode. If this voltage drops below the 4.1V recharge threshold ( $V_{RECHRG}$ ), another charge cycle begins and charge current is once again supplied to the battery. To manually restart a charge cycle when in standby mode, the input voltage must be removed and reapplied, or the charger must be shut down and restarted using the  $\overline{EN}$  pin.

### Switching Regulator Inductor Selection

The inductor value has a direct effect on inductor ripple current  $\Delta I_L$ , which decreases with higher inductance and increases with higher  $V_{CC}$  or  $V_{OUT}$ :

$$\Delta I_L = \frac{V_{OUT}}{f_0 \cdot L} \left( 1 - \frac{V_{OUT}}{V_{CC}} \right)$$

Accepting larger values of  $\Delta I_L$  allows the use of low inductances, but results in higher output ripple voltage, greater core losses, and lower output current capability. A reasonable starting point for setting ripple current is

$$\Delta I_L = 0.3 \cdot I_{OUT(MAX)}$$

where  $I_{OUT(MAX)}$  is 800mA for regulator 1 and 400mA for regulator 2. The largest ripple current  $\Delta I_L$  occurs at the maximum input voltage. To guarantee that the ripple current stays below a specified maximum, the inductor value should be chosen according to the following equation:

$$L = \frac{V_{OUT}}{f_0 \cdot \Delta I_L} \left( 1 - \frac{V_{OUT}}{V_{CC(MAX)}} \right)$$

The inductor value will also have an effect on Burst Mode operation. The transition from low current operation begins when the peak inductor current falls below a level set by the burst clamp. Lower inductor values result in higher ripple current which causes this to occur at lower load currents. This causes a dip in efficiency in the upper range of low current operation. In Burst Mode operation, lower inductance values will cause the burst frequency to increase.

### Inductor Core Selection

Different core materials and shapes will change the size/current and price/current relationship of an inductor. Toroid or shielded pot cores in ferrite or permalloy materials are small and do not radiate much energy, but generally cost more than powdered iron core inductors with similar electrical characteristics. The choice of which style inductor to use often depends more on the price vs size requirements and any radiated field/EMI requirements than on what the LTC3552 requires to operate. Table 1 shows some typical surface mount inductors that work well in LTC3552 applications.

**Table 1. Representative Surface Mount Inductors**

| PART NUMBER     | VALUE ( $\mu$ H) | DCR ( $\Omega$ MAX) | MAX DC CURRENT (A) | SIZE W x L x H (mm) |
|-----------------|------------------|---------------------|--------------------|---------------------|
| Sumida CDRH3D16 | 2.2              | 0.075               | 1.20               | 3.8 x 3.8 x 1.8     |
|                 | 3.3              | 0.110               | 1.10               |                     |
|                 | 4.7              | 0.162               | 0.90               |                     |
| Sumida CDRH2D11 | 1.5              | 0.068               | 0.900              | 3.2 x 3.2 x 1.2     |
|                 | 2.2              | 0.170               | 0.780              |                     |
| Sumida CMD4D11  | 2.2              | 0.116               | 0.950              | 4.4 x 5.8 x 1.2     |
|                 | 3.3              | 0.174               | 0.770              |                     |
| Murata LQH32CN  | 1.0              | 0.060               | 1.00               | 2.5 x 3.2 x 2.0     |
|                 | 2.2              | 0.097               | 0.79               |                     |
| Toko D312F      | 2.2              | 0.060               | 1.08               | 2.5 x 3.2 x 2.0     |
|                 | 3.3              | 0.260               | 0.92               |                     |
| Murata ELT5KT   | 3.3              | 0.17                | 1.00               | 4.5 x 5.4 x 1.2     |
|                 | 4.7              | 0.20                | 0.95               |                     |

## APPLICATIONS INFORMATION

### Input Capacitor ( $C_{IN}$ ) Selection

In continuous mode, the input current of the converter is a square wave with a duty cycle of approximately  $V_{OUT}/V_{CC}$ . To prevent large voltage transients, a low equivalent series resistance (ESR) input capacitor sized for the maximum RMS current must be used. The maximum RMS capacitor current is given by:

$$I_{RMS} \approx I_{MAX} \frac{\sqrt{V_{OUT}(V_{CC} - V_{OUT})}}{V_{CC}}$$

where the maximum average output current  $I_{MAX}$  equals the peak current minus 1/2 the peak-to-peak ripple current,  $I_{MAX} = I_{LIM} - \Delta I_L/2$ . This formula has a maximum at  $V_{CC} = 2 \cdot V_{OUT}$ , where  $I_{RMS} = I_{OUT}/2$ . This simple worst-case is commonly used to design because even significant deviations do not offer much relief. Note that capacitor manufacturer's ripple current ratings are often based on only 2000 hours life-time. This makes it advisable to further derate the capacitor, or choose a capacitor rated at a higher temperature than required. Several capacitors may also be paralleled to meet the size or height requirements of the design. An additional 0.1  $\mu$ F to 1  $\mu$ F ceramic capacitor is also recommended on  $V_{CC}$  for high frequency decoupling, when not using an all ceramic capacitor solution.

### Output Capacitor ( $C_{OUT}$ ) Selection

The selection of  $C_{OUT}$  is driven by the required ESR to minimize ripple voltage and load step transients. Typically, once the ESR requirement is satisfied, the capacitance is adequate for filtering. The output ripple ( $\Delta V_{OUT}$ ) is determined by

$$\Delta V_{OUT} \approx \Delta I_L \left( ESR + \frac{1}{8f_0 C_{OUT}} \right)$$

where  $f_0$  = operating frequency,  $C_{OUT}$  = output capacitance and  $\Delta I_L$  = ripple current in the inductor. The output ripple

is highest at maximum input voltage since  $\Delta I_L$  increases with input voltage. With  $\Delta I_L = 0.3 \cdot I_{OUT(MAX)}$  the output ripple will be less than 100mV at maximum  $V_{CC}$  and  $f_0 = 2.25$ MHz with  $ESR_{C_{OUT}} < 150$ m $\Omega$ .

Once the ESR requirements for  $C_{OUT}$  have been met, the RMS current rating generally far exceeds the  $I_{RIPPLE(P-P)}$  requirement, except for an all ceramic solution. In surface mount applications, multiple capacitors may have to be paralleled to meet the capacitance, ESR or RMS current handling requirement of the application. Aluminum electrolytic, special polymer, ceramic and solid tantalum capacitors are all available in surface mount packages.

The OSCON semiconductor dielectric capacitor available from Sanyo has the lowest ESR (size) product of any aluminum electrolytic at a somewhat higher price. Special polymer capacitors, such as Sanyo POSCAP, Panasonic Special Polymer (SP), and Kemet A700, offer very low ESR, but have a lower capacitance density than other types. Tantalum capacitors have the highest capacitance density, but they have a larger ESR and it is critical that the capacitors are surge tested for use in switching power supplies. An excellent choice is the AVX TPS series of surface mount tantalums, available in case heights ranging from 2mm to 4mm. Aluminum electrolytic capacitors have a significantly larger ESR, and are often used in extremely cost-sensitive applications provided that consideration is given to ripple current ratings and long term reliability. Ceramic capacitors have the lowest ESR and cost, but also have the lowest capacitance density, a high voltage and temperature coefficient, and exhibit audible piezoelectric effects. In addition, the high Q of ceramic capacitors along with trace inductance can lead to significant ringing. In most cases, 0.1  $\mu$ F to 1  $\mu$ F of X5R dielectric ceramic capacitors should also be placed close to the LTC3552 in parallel with the main capacitors for high frequency decoupling.

## APPLICATIONS INFORMATION

### Ceramic Input and Output Capacitors

Higher value, lower cost ceramic capacitors are now becoming available in smaller case sizes. These are tempting for switching regulator use because of their very low ESR. Unfortunately, the ESR is so low that it can cause loop stability problems. Solid tantalum capacitor ESR generates a loop “zero” at 5kHz to 50kHz that is instrumental in giving acceptable loop phase margin. Ceramic capacitors remain capacitive to beyond 300kHz and usually resonate with their ESL before ESR becomes effective. Also, ceramic caps are prone to temperature effects which requires the designer to check loop stability over the operating temperature range. To minimize their large temperature and voltage coefficients, only X5R or X7R ceramic capacitors should be used. A good selection of ceramic capacitors is available from Taiyo Yuden, AVX, Kemet, TDK, and Murata.

Great care must be taken when using only ceramic input and output capacitors. When a ceramic capacitor is used at the input and the power is being supplied through long wires, such as from a wall adapter, a load step at the output can induce ringing at the  $V_{CC}$  pin. At best, this ringing can couple to the output and be mistaken as loop instability. At worst, the ringing at the input can be large enough to damage the part.

Since the ESR of a ceramic capacitor is very low, the input and output capacitor must instead fulfill a charge storage requirement. During a load step, the output capacitor must instantaneously supply the current to support the load until the feedback loop raises the switch current enough to support the load. The time required for the feedback loop to respond is dependent on the compensation and the output capacitor size. Typically, 3-4 cycles are required to respond to a load step, but only in the first cycle does the output drop linearly. The output droop,  $V_{DROOP}$ , is usually about 2-3 times the linear drop of the first cycle. Thus, a good place to start is with the output capacitor size of approximately:

$$C_{OUT} \approx 2.5 \left( \frac{\Delta I_{OUT}}{f_0 \cdot V_{DROOP}} \right)$$

More capacitance may be required depending on the duty cycle and load step requirements. In most applications, the input capacitor is merely required to supply high frequency bypassing, since the impedance to the supply is very low. A 10 $\mu$ F ceramic capacitor is usually enough for these conditions.

### Setting the Output Voltage

The switching regulator develops a 0.6V reference voltage between the feedback pin,  $V_{FB}$ , and the ground as shown in Figure 2. The output voltage is set by a resistive divider according to the following formula:

$$V_{OUT} = 0.6V \left( 1 + \frac{R2}{R1} \right)$$

Keeping the current low ( $< 5\mu$ A) in these resistors maximizes efficiency, but making it too low may allow stray capacitance to cause noise problems and reduce the phase margin of the error amplifier loop.

To improve the frequency response, a feed-forward capacitor,  $C_{FF}$ , may also be used. Great care should be taken to route the  $V_{FB}$  line away from noise sources, such as the inductor or the SW line.

### Checking Transient Response

The regulator loop response can be checked by looking at the load transient response. Switching regulators take several cycles to respond to a step in load current. When a load step occurs,  $V_{OUT}$  immediately shifts by an amount equal to  $\Delta I_{LOAD} \cdot ESR$ , where ESR is the effective series resistance of  $C_{OUT}$ .  $\Delta I_{LOAD}$  also begins to charge or discharge  $C_{OUT}$ , generating a feedback error signal used by the regulator to return  $V_{OUT}$  to its steady-state value. During this recovery time,  $V_{OUT}$  can be monitored for overshoot or ringing that would indicate a stability problem.

The output voltage settling behavior is related to the stability of the closed-loop system and will demonstrate the



## APPLICATIONS INFORMATION

actual overall supply performance. A feedforward capacitor,  $C_{FF}$ , is added to improve the high frequency response. Capacitor  $C_{FF}$  provides phase lead by creating a high frequency zero with the top feedback resistor, which improves the phase margin. For a detailed explanation of optimizing the compensation components, including a review of control loop theory, refer to Application Note 76.

In some applications, a more severe transient can be caused by switching loads with large ( $>1\mu\text{F}$ ) input capacitors. The discharged load input capacitors are effectively put in parallel with  $C_{OUT}$ , causing a rapid drop in  $V_{OUT}$ . No regulator can deliver enough current to prevent this problem, if the switch connecting the load has low resistance and is driven quickly. The solution is to limit the turn-on speed of the load switch driver. A Hot Swap™ controller is designed specifically for this purpose and usually incorporates current limiting, short-circuit protection, and soft-starting.

### Efficiency Considerations

The efficiency of a switching regulator is equal to the output power divided by the input power times 100%. It is often useful to analyze individual losses to determine what is limiting the efficiency and which change would produce the most improvement. Percent efficiency can be expressed as:

$$\% \text{ Efficiency} = 100\% - (L1 + L2 + L3 + \dots)$$

where L1, L2, etc. are the individual losses as a percentage of input power.

Although all dissipative elements in the circuit produce losses, four main sources usually account for most of the losses in LTC3552 circuits: 1)  $V_{CC}$  quiescent current, 2) switching losses, 3)  $I^2R$  losses, 4) other losses.

1) The  $V_{CC}$  current is the DC supply current given in the Electrical Characteristics which excludes MOSFET driver and control currents.  $V_{CC}$  current results in a small ( $<0.1\%$ ) loss that increases with  $V_{CC}$ , even at no load.

- 2) The switching current is the sum of the MOSFET driver and control currents. The MOSFET driver current results from switching the gate capacitance of the power MOSFETs. Each time a MOSFET gate is switched from low to high to low again, a packet of charge  $dQ$  moves from  $V_{CC}$  to ground. The resulting  $dQ/dt$  is a current out of  $V_{CC}$  that is typically much larger than the DC bias current. In continuous mode,  $I_{GATECHG} = f_0(Q_T + Q_B)$ , where  $Q_T$  and  $Q_B$  are the gate charges of the internal top and bottom MOSFET switches. The gate charge losses are proportional to  $V_{CC}$  and thus their effects will be more pronounced at higher supply voltages.
- 3)  $I^2R$  losses are calculated from the DC resistances of the internal switches,  $R_{SW}$ , and external inductor,  $R_L$ . In continuous mode, the average output current flows through inductor L, but is “chopped” between the internal top and bottom switches. Thus, the series resistance looking into the SW pin is a function of both top and bottom MOSFET  $R_{DS(ON)}$  and the duty cycle (D) as follows:

$$R_{SW} = (R_{DS(ON)TOP})(D) + (R_{DS(ON)BOT})(1 - D)$$

The  $R_{DS(ON)}$  for both the top and bottom MOSFETs can be obtained from the Typical Performance Characteristics curves. Thus, to obtain  $I^2R$  losses:

$$I^2R \text{ losses} = I_{OUT}^2(R_{SW} + R_L)$$

- 4) Other “hidden” losses such as copper trace and internal battery resistances can account for additional efficiency degradations in portable systems. It is very important to include these “system” level losses in the design of a system. The internal battery and fuse resistance losses can be minimized by making sure that  $C_{IN}$  has adequate charge storage and very low ESR at the switching frequency. Other losses include diode conduction losses during dead-time and inductor core losses generally account for less than 2% total additional loss.

Hot Swap is a trademark of Linear Technology Corporation.

## APPLICATIONS INFORMATION

### Thermal Considerations

The battery charger's thermal regulation feature and the switching regulator's high efficiency make it unlikely that the LTC3552 will dissipate enough power to exceed its maximum junction temperature. However, in applications where the LTC3552 is running at high ambient temperature with low supply voltage and high duty cycles, the power dissipated may result in excessive junction temperatures. To prevent the LTC3552 from exceeding the maximum junction temperature, the user will need to do some thermal analysis. The goal of the thermal analysis is to determine whether the power dissipated will raise the junction temperature above the maximum rating. The temperature rise is given by:

$$T_{\text{RISE}} = P_D \cdot \theta_{\text{JA}}$$

where  $P_D$  is the power dissipated and  $\theta_{\text{JA}}$  is the thermal resistance from the junction of the die to the ambient temperature. The junction temperature,  $T_J$ , is given by:

$$T_J = T_{\text{RISE}} + T_{\text{AMBIENT}}$$

As an example, consider the case when the battery charger is idle, and both regulators are operating at an input voltage of 2.7V with a load current of 400mA and 800mA and an ambient temperature of 70°C. From the Typical Performance Characteristics graph of Switch Resistance, the  $R_{\text{DS(ON)}}$  resistance of the main switch is 0.425Ω. Therefore, power dissipated by each regulator is:

$$P_D = I^2 \cdot R_{\text{DS(ON)}} = 272\text{mW and } 68\text{mW}$$

The DHC16 package junction-to-ambient thermal resistance,  $\theta_{\text{JA}}$ , is 40°C/W. Therefore, the junction temperature of the regulator operating in a 70°C ambient temperature is approximately:

$$T_J = (0.272 + 0.068) \cdot 40 + 70 = 83.6^\circ\text{C}$$

which is below the absolute maximum junction temperature of 125°C.

The majority of the LTC3552 power dissipation comes from the battery charger. Fortunately, the LTC3552 automatically reduces the charge current during high power conditions using a patented thermal regulation circuit. Thus, it is not necessary to design for worst-case power dissipation scenarios. The conditions that cause the LTC3552 to

reduce charge current through thermal feedback can be approximated by considering the power dissipated in the IC. The approximate ambient temperature at which the thermal feedback begins to protect the IC is:

$$T_A = 120^\circ\text{C} - P_D \theta_{\text{JA}}$$

$$T_A = 120^\circ\text{C} - (P_{\text{D(CHARGER)}} + P_{\text{D(REGULATOR)}}) \cdot \theta_{\text{JA}}$$

Most of the charger's power dissipation is generated from the internal charger MOSFET. Thus, the power dissipation is calculated to be:

$$P_{\text{D(CHARGER)}} = (V_{\text{IN}} - V_{\text{BAT}}) \cdot I_{\text{BAT}}$$

$V_{\text{IN}}$  is the charger supply voltage,  $V_{\text{BAT}}$  is the battery voltage and  $I_{\text{BAT}}$  is the charge current.

**Example:** An LTC3552 operating from a 5V supply is programmed to supply 800mA full-scale current to a discharged Li-Ion battery with a voltage of 3.3V. For simplicity, assume the regulators are disabled and dissipate no power.

The charger power dissipation is calculated to be:

$$P_{\text{D(CHARGER)}} = (5\text{V} - 3.3\text{V}) \cdot 800\text{mA} = 1.36\text{W}$$

Thus, the ambient temperature at which the LTC3552 charger begins to reduce the charge current is approximately:

$$T_A = 120^\circ\text{C} - 1.36\text{W} \cdot 40^\circ\text{C/W}$$

$$T_A = 120^\circ\text{C} - 54.4^\circ\text{C}$$

$$T_A = 65.6^\circ\text{C}$$

The LTC3552 can be used above 65°C ambient but the charge current will be reduced from the programmed 800mA. The approximate current at a given ambient temperature can be approximated by:

$$I_{\text{BAT}} = \frac{120^\circ\text{C} - T_A}{(V_{\text{IN}} - V_{\text{BAT}}) \cdot \theta_{\text{JA}}}$$

Using the previous example with an ambient temperature of 70°C (and no heat dissipation from the regulator), the charge current will be reduced to approximately:

$$I_{\text{BAT}} = \frac{120^\circ\text{C} - 70^\circ\text{C}}{(5\text{V} - 3.3\text{V}) \cdot 40^\circ\text{C/W}} = \frac{50^\circ\text{C}}{68^\circ\text{C/A}}$$

$$I_{\text{BAT}} = 735\text{mA}$$

## APPLICATIONS INFORMATION

The previous analysis can be repeated to take into account the power dissipation of the regulator by:

$$I_{\text{BAT}} = \frac{120^{\circ}\text{C} - T_{\text{A}} - T_{\text{RISE(REGULATOR)}}}{(V_{\text{IN}} - V_{\text{BAT}}) \cdot \theta_{\text{JA}}}$$

However, the regulator typically dissipates significantly less heat than the charger (even in worst-case situations), the calculations here should work well as an approximation.

Moreover, when thermal feedback reduces the charge current, the voltage at the PROG pin is also reduced proportionally. It is important to remember that LTC3552 applications do not need to be designed for worst-case thermal conditions since the IC will automatically reduce charge current when the junction temperature reaches approximately 120°C.

In order to deliver maximum charge current under all conditions, it is critical that the exposed metal pad on the backside of the LTC3552 package is soldered to relatively large areas of PC board copper with vias to inner copper layers. Failure to make thermal contact between the exposed pad on the backside of the package and the copper board will result in thermal resistances far greater than 40°C/W. As an example, a correctly soldered LTC3552 can deliver over 800mA to a battery from a 5V supply at room temperature. Without a good backside thermal connection, this number will drop considerably.

### Battery Charger Stability Considerations

The constant-voltage mode feedback loop is stable without an output capacitor, provided a battery is connected to the charger output. With no battery present, an output capacitor on the BAT pin is recommended to reduce ripple voltage. When using high value, low ESR ceramic capacitors, it is recommended to add a 1Ω resistor in series with the capacitor. No series resistor is needed if tantalum capacitors are used. In constant-current mode, the PROG pin is in the feedback loop, not the battery. The constant-current mode stability is affected by the impedance at the PROG pin. With no additional capacitance on the PROG pin, the charger is stable with program resistor values as

high as 20k; however, additional capacitance on this node reduces the maximum allowed program resistor. The pole frequency at the PROG pin should be kept above 100kHz. Therefore, if the PROG pin is loaded with a capacitance,  $C_{\text{PROG}}$ , the following equation can be used to calculate the maximum resistance value for  $R_{\text{PROG}}$ :

$$R_{\text{PROG}} \leq \frac{1}{2\pi \cdot 10^5 \cdot C_{\text{PROG}}}$$

Average, rather than instantaneous charge current may be of interest to the user. For example, if a switching power supply operating in low current mode is connected in parallel with the battery, the average current being pulled out of the BAT pin is typically of more interest than the instantaneous current pulses. In such a case, a simple RC filter can be used on the PROG pin to measure the average battery current, as shown in Figure 3. A 10k resistor has been added between the PROG pin and the filter capacitor to ensure stability.

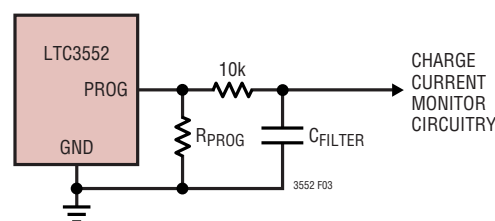


Figure 3. Isolating Capacitive Load on PROG Pin and Filtering

### $V_{\text{IN}}$ Bypass Capacitor

Many types of capacitors can be used for input bypassing; however, caution must be exercised when using multilayer ceramic capacitors. Because of the self-resonant and high Q characteristics of some types of ceramic capacitors, high voltage transients can be generated under some start-up conditions such as connecting the charger input to a live power source. Adding a 1.5Ω resistor in series with an X5R ceramic capacitor will minimize start-up voltage transients. For more information, see Application Note 88.

## APPLICATIONS INFORMATION

### Reverse Polarity Input Voltage Protection

In some applications, protection from reverse polarity voltage on  $V_{IN}$  is desired. If the supply voltage is high enough, a series blocking diode can be used. In other cases, where the voltage drop must be kept low, a P-regulator MOSFET can be used (as shown in Figure 4).

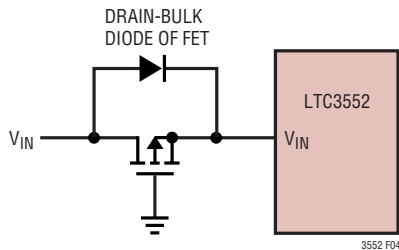


Figure 4. Low Loss Input Reverse Polarity Protection

### Design Example

As a design example, assume the LTC3552 is used in a single lithium-ion battery-powered cellular phone application.

Starting with the charger, choosing  $R_{PROG}$  to be 1.24k programs the charger for 806mA. A good rule of thumb for  $I_{TERMINATE}$  is one tenth the full charge current, so  $R_{I_{TERM}}$  is picked to be 1.24k ( $I_{TERMINATE} = 80mA$ ).

For the switching regulator,  $V_{CC}$  will be operating from a maximum of 4.2V down to about 2.7V. The load requires a maximum of 800mA in active mode and 2mA in standby mode. Regulator 1 output voltage is 1.8V. Since the load

still needs power in standby, Burst Mode operation is selected for good low load efficiency (connect MODE/SYNC to  $V_{CC}$ ). First, calculate the inductor value for about 30% ripple current at maximum  $V_{CC}$ :

$$L = \frac{1.8V}{2.25MHz \cdot 240mA} \left( 1 - \frac{1.8V}{4.2V} \right) = 1.9\mu H$$

Choosing a vendor's closest inductor value of 2.2 $\mu$ H, results in a maximum ripple current of:

$$\Delta I_L = \frac{1.8V}{2.25MHz \cdot 2.2\mu H} \left( 1 - \frac{1.8V}{4.2V} \right) = 208mA$$

For cost reasons, a ceramic capacitor will be used.  $C_{OUT}$  selection is then based on load step droop instead of ESR requirements. For a 5% output droop:

$$C_{OUT} = 2.5 \frac{800mA}{2.25MHz \cdot (5\% \cdot 2.5V)} = 7.1\mu F$$

A good standard value is 10 $\mu$ F. Since the impedance of a Li-Ion battery is very low,  $C_{IN}$  is typically 10 $\mu$ F. The output voltage can now be programmed by choosing the values of  $R_1$  and  $R_2$ . To maintain high efficiency, the current in these resistors should be kept small. Choosing 2 $\mu$ A with 0.6V feedback voltage makes  $R_1 \sim 300k$ . A close standard 1% resistor is 301k, and  $R_2$  is then 604k. The POR pin is an open-drain output and requires a pull-up resistor. A 100k resistor is used for adequate speed. Figure 2 shows the complete schematic for this design example.

## APPLICATIONS INFORMATION

### Board Layout Considerations

When laying out the printed circuit board, the following checklist should be used to ensure proper operation of the LTC3552. These items are also illustrated graphically in the layout diagram of Figure 5. Check the following in your layout:

1. Does the capacitor  $C_S$  connect to the power  $V_{CC}$  and GND (exposed pad) as closely as possible? This capacitor provides the AC current to the internal power MOSFETs and their drivers.
2. The feedback signals  $V_{FB}$  should be routed away from noisy components and traces, such as the SW line, and its trace should be minimized.
3. Are the  $C_{OUT}$  and L1 closely connected? The (-) plate of  $C_{OUT}$  returns current to GND and the (-) plate of  $C_S$ .
4. Keep sensitive components away from the SW pins. The input capacitor  $C_S$  should be routed away from the SW traces and the inductors.

5. A ground plane is preferred, but if not available, keep the signal and power grounds segregated with small signal components returning to the GND pin at one point and should not share the high current path of  $C_S$  or  $C_{OUT}$ .
6. Flood all unused areas on all layers with copper. Flooding with copper will reduce the temperature rise of power components. These copper areas should be connected to  $V_{CC}$  or GND.

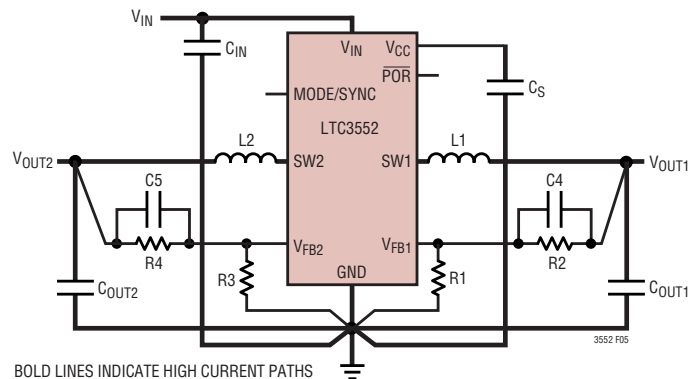


Figure 5. Layout Diagram

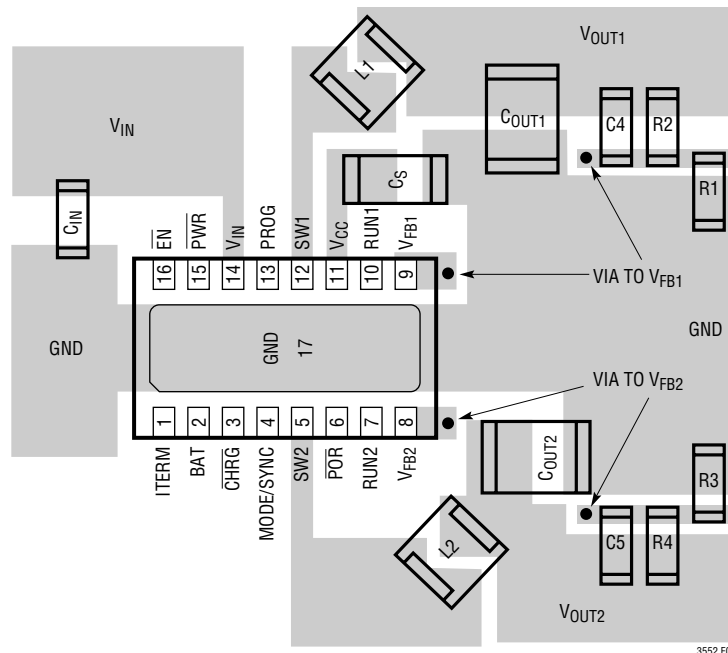
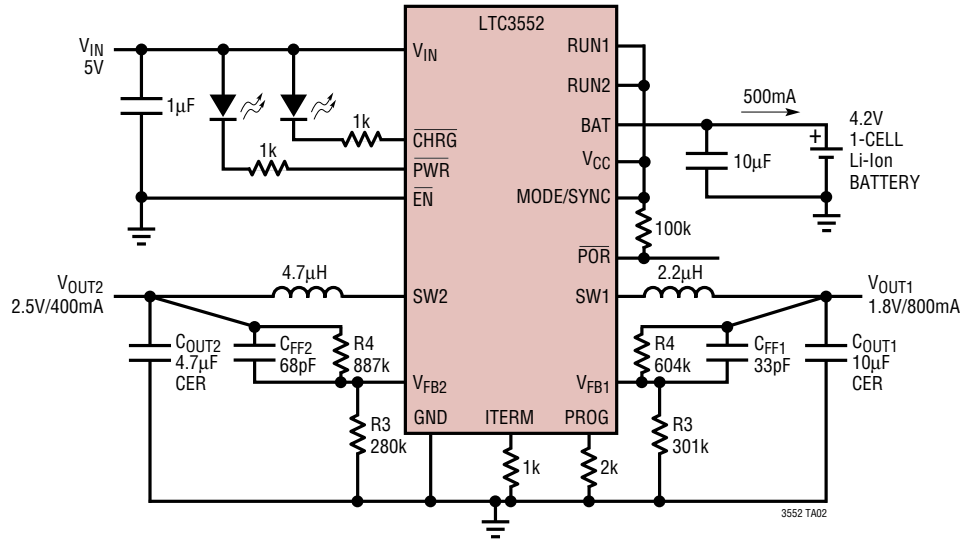


Figure 6. Suggested Layout

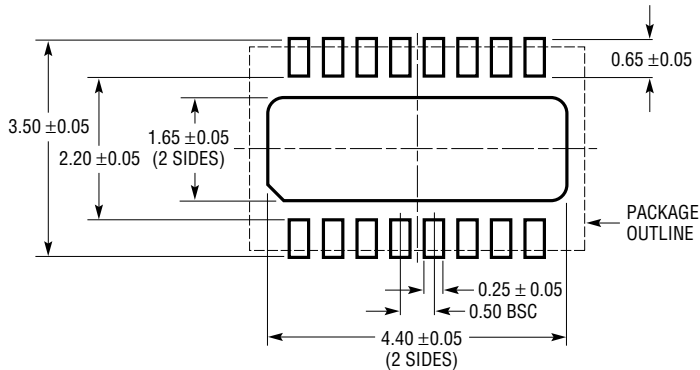
## TYPICAL APPLICATION

### Full-Featured Single-Cell Li-Ion Charger Plus Dual Step-Down Converter

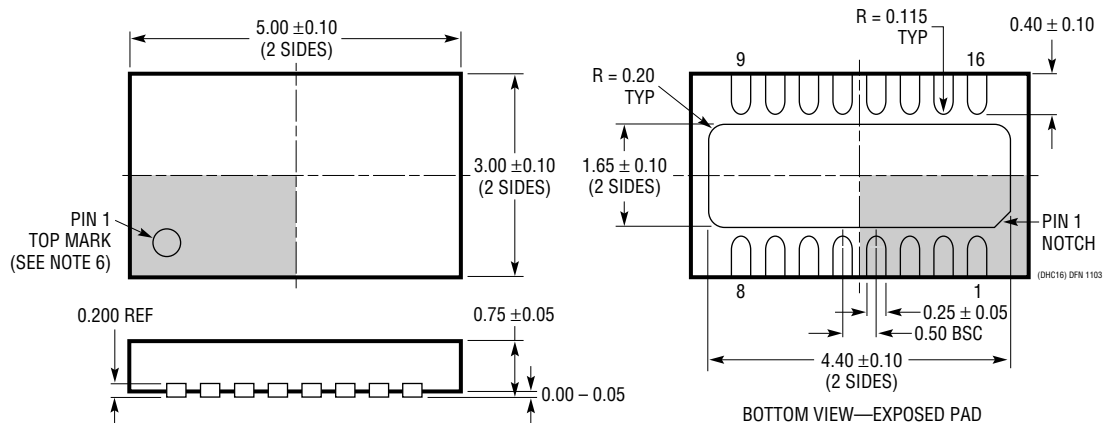


## PACKAGE DESCRIPTION

### DHC Package 16-Lead Plastic DFN (5mm × 3mm) (Reference LTC DWG # 05-08-1706)



#### RECOMMENDED SOLDER PAD PITCH AND DIMENSIONS

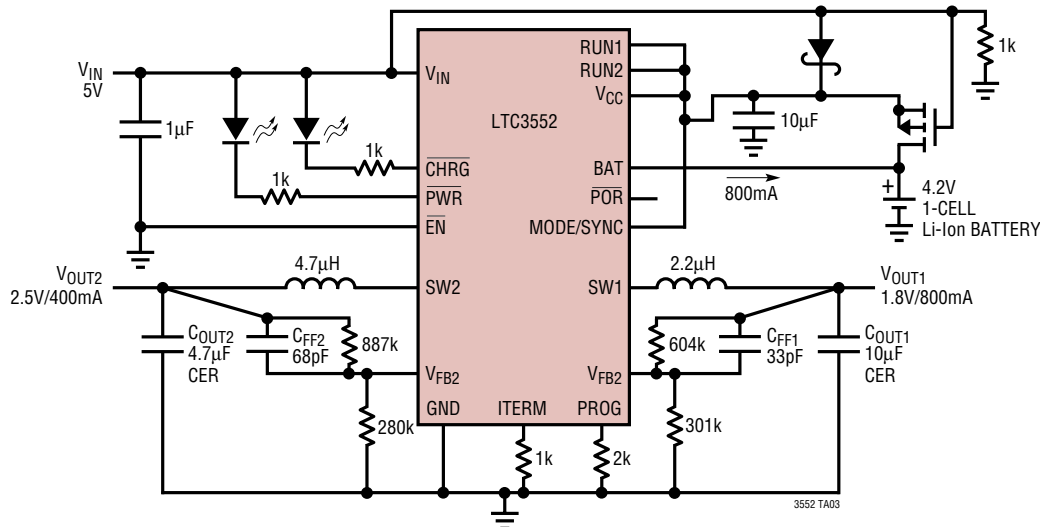


#### NOTE:

1. DRAWING PROPOSED TO BE MADE VARIATION OF VERSION (WJED-1) IN JEDEC PACKAGE OUTLINE MO-229
2. DRAWING NOT TO SCALE
3. ALL DIMENSIONS ARE IN MILLIMETERS
4. DIMENSIONS OF EXPOSED PAD ON BOTTOM OF PACKAGE DO NOT INCLUDE MOLD FLASH. MOLD FLASH, IF PRESENT, SHALL NOT EXCEED 0.15mm ON ANY SIDE
5. EXPOSED PAD SHALL BE SOLDER PLATED
6. SHADED AREA IS ONLY A REFERENCE FOR PIN 1 LOCATION ON THE TOP AND BOTTOM OF PACKAGE

## TYPICAL APPLICATION

Li-Ion Charger and Step-Down Converters with PowerPath™



## RELATED PARTS

| PART NUMBER      | DESCRIPTION  | COMMENTS   |
|------------------|--|--|
| LTC3455          | Dual DC/DC Converter with USB Power Management and Li-Ion Battery Charger                    | Efficiency >96%, Accurate USB Current Limiting (500mA/100mA), 4mm × 4mm QFN-24 Package   |
| LTC3548          | Dual Synchronous, 400mA/800mA, 2.25MHz Step-Down DC/DC Regulator                             | High Efficiency: Up to 95%, I <sub>Q</sub> : 40µA, 2.25MHz Frequency, MSOP-10 and 3mm × 3mm DFN-10 Packages  |
| LTC3550          | Dual Input USB/AC Adapter Li-Ion Battery Charger with adjustable output 600mA Buck Converter | Synchronous Buck Converter, Efficiency: 93%, Adjustable Output at 600mA; Charge Current: 950mA Programmable, USB Compatible, Automatic Input Power Detection and Selection, 5mm × 3mm DFN-16 Package |
| LTC3550-1        | Dual Input USB/AC Adapter Li-Ion Battery Charger with 600mA Buck Converter                   | Synchronous Buck Converter, Efficiency: 93%, Output: 1.875V at 600mA; Charge Current: 950mA Programmable, USB Compatible, Automatic Input Power Detection and Selection, 5mm × 3mm DFN-16 Package    |
| LTC3552-1        | Standalone Linear Li-Ion Battery Charger with Dual Synchronous Buck Converter                | Synchronous Buck Converter, Efficiency: >90%, Output: 1.8V at 800mA, 1.575V at 400mA; Charge Current Programmable Up to 950mA, USB Compatible, 5mm × 3mm DFN-16 Package                              |
| LTC4053-4.2      | USB Compatible Li-Ion Battery Charger with Thermal Regulation                                | Charges Single-Cell Li-Ion Batteries, From USB, MS Package   |
| LTC4054/LTC4054X | Standalone Linear Li-Ion Battery Charger with Integrated Pass Transistor in ThinSOT™         | Thermal Regulation Prevents Overheating, C/10 Termination, C/10 Indicator, Up to 800mA Charge Current  |
| LTC4055          | USB Power Controller and Battery Charger   | Charges Single-Cell Li-Ion Batteries Directly From USB Port, Thermal Regulation, 4mm × 4mm QFN-16 Package  |
| LTC4058/LTC4058X | Standalone 950mA Lithium-Ion Charger in DFN  | C/10 Charge Termination, Battery Kelvin Sensing, ±7% Charge Accuracy   |
| LTC4061          | Standalone Linear Li-Ion Battery Charger with Thermistor Input                               | Charge Current Programmable Up to 1A   |
| LTC4066          | Standalone Linear Li-Ion Battery Charger with Thermistor Input                               | Charges Single-Cell Li-Ion From USB Port, DFN Package  |
| LTC4068/LTC4068X | Standalone Linear Li-Ion Battery Charger with Programmable Termination                       | Charge Current Up to 950mA, Thermal Regulation, 3mm × 3mm DFN-8 Package  |
| LTC4412          | Low-Loss PowerPath™ Controller in ThinSOT  | V <sub>IN</sub> : 3V to 28V, Automatic Switching Between DC Sources  |

PowerPath and ThinSOT are registered trademarks of Linear Technology Corporation.

3552f